



## 30 kW DIESEL GENERATOR

### 30,000 WATT

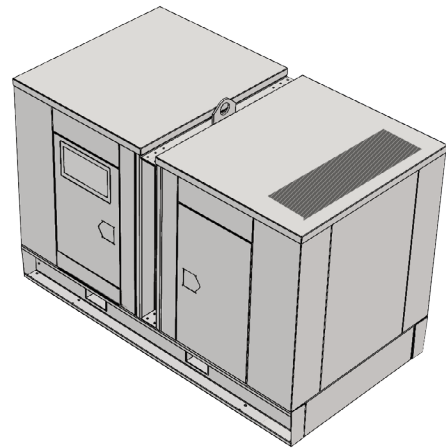
60 Hz., 1800 RPM Liquid Cooled

Single Phase, 1.0 Power Factor

Automatic Voltage Regulated

250 Amp - 120 Volt

125 Amp - 240 Volt



### GENERATOR FEATURES

#### High Performance Compact Design

Built in Canada to meet the toughest customers needs. New high performance clean diesel power from a quieter compact design. Power you can depend on for home, commercial or off-grid applications.

#### Engine

Powered by a Perkins 400 Series Engine. These engines are compact and easy to start. Perkins is known for their exceptional performance and long life. Low fuel consumption and durability make them a popular choice worldwide for power generation. Customers also save on maintenance since the engines require fewer air filter, oil filter and lube oil changes. (Oil changes every 500 hours depending on load factor)

#### Alternator

Highly reliable industrial class alternator. A popular choice for harsh conditions where clean, stable power is required. Output is electronically voltage regulated to within 1% precision. The brushless design requires no maintenance.

#### Integrated Fuel Tank

Large capacity fuel tank is located in the base frame of the generator. Easy to read fuel level indicator and 304/316 stainless steel electronic fuel level sensor. In-tank fuel filter provides dual filtration.

#### Controller

Clear generator instrumentation, protection and control. 150 event logging, fuel level display and alarm, maintenance and exercise clock and much more. The controller is built to withstand severe duty, extreme shock and vibration. Easy to use and configure via front panel buttons. Can be used manually or fully automatic with optional Automatic Transfer Switch or wireless remote control. Accepts additional customer sensors and switched outputs.

#### Acoustical Sound Enclosure

Weather resistant enclosure is constructed out of galvanized steel and assembled with high strength stainless steel fasteners. Powder coated finish, acoustical sound insulation and chrome plated locks secure the doors from unauthorized access. The generator is designed to be cosmetically appealing while still being able to withstand harsh operating conditions.

#### All-In-One Generator

Suitable for a wide range of applications from residential emergency standby to off-grid power applications.

**Limited Warranty** - Aurora 5 YEAR Generator Warranty, Perkins 3000 hours or two year engine warranty (three year core components) Perkins warranty is comprehensive and covers all parts and labour plus miscellaneous items such as the travel costs of engineers to repair the engine. Optional extended warranty also available from Perkins.

### OPTIONS

- Remote Monitoring & Control
- Key-chain Wireless Remote
- Automatic Transfer Switch
- Engine Block Heater
- High Capacity Fuel Tank
- Battery Charger
- Extended Warranty & Service Plans
- Leasing and Financing OAC



# 30 kW DIESEL GENERATOR

## Generator Specifications

Model	AGi30PX
Type	Diesel
Power	30,000 watts 60 Hz Single Phase 125 amps @ 240 volts AC 250 amps @ 120 volts AC
Sound Level	68 dB @ 23 ft.
Dimensions L x W x H	73.25" x 40.25" x 50"
Dry Weight (With Canopy)	1850 lbs
Country of Origin	Made in Canada
Approvals	CSA SPE-1000

## Generator Controller

Model	TG350 / TG410
Operating Voltage	5.5 to 38VDC continuous. Cranking dropouts to 0 VDC for 50 mS, also meets SAE J1113-11
Standby Current Draw	50 mA
Protection	Reverse battery protected & Overload
Operating Temperature	-40 - +158 F
Vibration & Shock	Meets or exceeds SAE J1455
Electromagnetic Compatibility	Meets or exceeds MIL-STD-461E Conducted Emissions
Configurable Switched Inputs	5
Configurable Switched Outputs (in addition to fuel & crank)	4
Warranty	5 Years

## Engine Specifications

Make/Model	404D-22TAG
Standby Power	46.5 hp 31.2 kW
Engine Prime Power Fuel Consumption	8.9 L/hr 2.35 (US) gal / Hr
Engine Speed	1800 RPM
Number of cylinders	4
Aspiration	Turbocharged aftercooled
Combustion System	Indirect Injection
Compression Ratio	23.3:1
Bore and Stroke	3.3" x 3.9"
Displacement	2.2 litres 135 in <sup>3</sup>
Cooling System	Water Cooled
Coolant Capacity	9.3 L 2.4 gal (US)
Oil Capacity	10.6 L 2.8 gal (US)
Oil & Filter Changes	500 hr dependent on load factor
Charging Alternator	65 amp
Starter Battery	12 Volt 850 cca
Warranty	3000 Hr / 2 Year

## Alternator

Model	SM180E
Type	Brushless Automatic Voltage Regulated
Voltage Regulation	±1
Rated Output	125 amps at 240 volts 250 amps at 120 volts
Insulation	Class H
Warranty	5 Years

## Fuel Tank

Volume	45 Litres / 10 gallon
Material	Aluminum
Standard	CAN/ULC-S601
Warranty	5 Year

 **Perkins**<sup>®</sup>

**Diesel Power**

Specifications are subject to change without notice.

